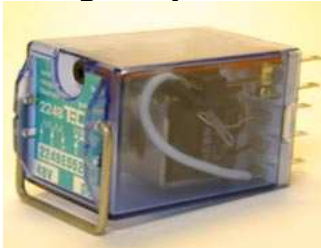




INSTANTANEOUS AND FUNCTION RELAYS

Latching relays 2 contacts / 2248



TEC

2248

- ▶ rear wiring socket with clips 9246
- ▶ rear wiring socket with clips 9243
- ▶ rear wiring socket / PCB mounting 9244
- ▶ front wiring socket with clips 9946-20
- ▶ front wiring socket / screw terminals 9946-10



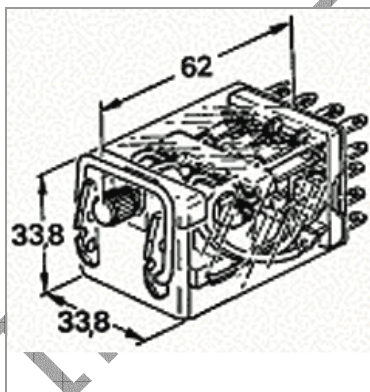
DESCRIPTION

Latching relay - 2 CO contacts - 10 A.

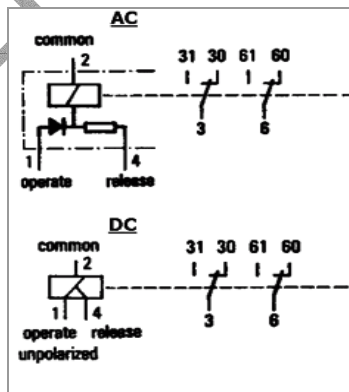
Pluggable on the following sockets : 9244, 9246, 9243 et 9946.

Detailed table of the coil resistance data is available in the technical support pages of this site or can be sent upon request.

Dimensions



Connection



TECHNICAL FEATURES

Function	latching
Presentation	under cover
Connection	on front or rear wiring socket
Number of mechanical operations	10.000.000
Operating temperature	- 25 to + 60°C
Storage temperature	- 40°C to + 80°C
Climatic protection	reinforced climatic protection

Shock voltage	50 g 11 ms
Dielectric strength	2,5 KV - 50 Hz - 1 mn at 40°C / 70% HR
Insulation resistance	> 200 MOhms
Weight	80 g.

COIL DATA

	Direct current	Alternative current
Min. nominal voltage DC	6 V	6 V
Min. nominal voltage AC	125 V	230 V
Operating range	-20/+10% of nominal voltage	
Power requirement	operate : 2,4 W - release : 2,2 W	4,5 VA 3 VA

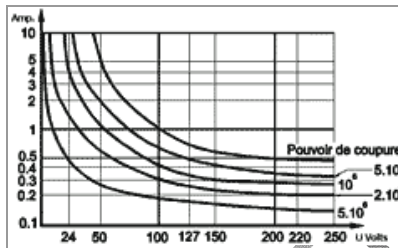
CONTACTS

Number of contacts	2
Contacts material	silver alloy with gold flash
Max. load current	10 A per contact
Low power switching	150 mVA with min. voltage 5 V or I min 10 mA
Short-circuit load	250 A / 30 ms
Response time	DC < 20 ms - AC < 21 ms
Bounce time	< 9 ms

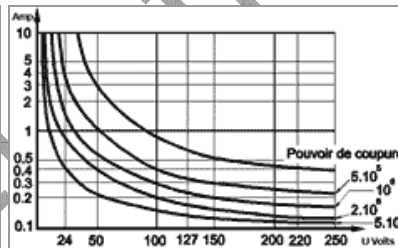
CONTACTS RATING

DIRECT CURRENT

resistive load

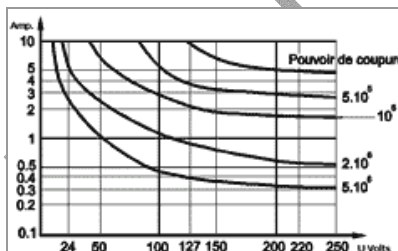


inductive load - L/R = 20 ms

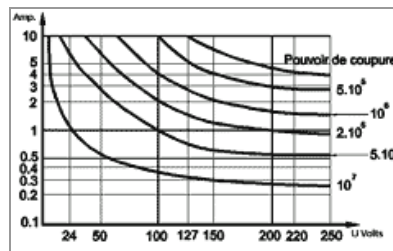


ALTERNATIVE CURRENT

resistive load



inductive load - cos phi = 0,7



VERSIONS

2246 relay is a magnetic latching relay. It can be proposed with the following options : test push-button and mechanical position indicator.

For any complementary information regarding mounting and withdrawal, please refer to the technical support pages of this site or contact us .İMAJTEKNİK LTD ŞTİ www.imajteknik.com



İmaj Teknik Elektrik Elektronik San. ve Tic. Ltd. Şti.

EMEKYEMEZ MAH.TUTSAK SOK. NO: 16/13-14-15
KARAKOY/İSTANBUL
TURKEY

Telefon : +90 212 235 9535 / 36
Fax : +90 212 235 9537

www.imajteknik.com
www.imajteknik.com.tr